

IMPORTANT

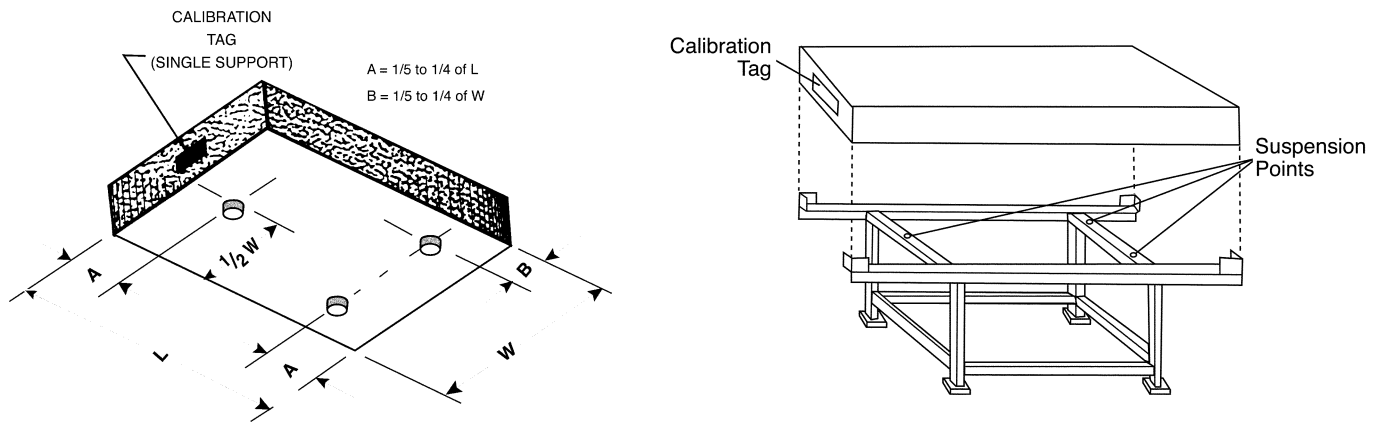
INSTALLATION INSTRUCTIONS

FOR **PRECISION GRANITE**[®] SURFACE PLATES

USE SOFTENERS WHEN MOVING YOUR SURFACE PLATE. DO NOT LIFT LOAD ON BOTTOM EDGES. MUST LIFT LEVEL.

DO NOT PLACE SURFACE PLATE UNDER HEATER OR AIR CONDITIONER VENTS AS IT ALTERS THE SURFACE ACCURACY.

IT IS ESSENTIAL THAT YOUR SURFACE PLATE IS SUPPORTED ON 3 POINTS TO MINIMIZE SAG AND WARP. MATCH 3 POINT STAND TO 3 POINTS UNDER THE SURFACE PLATE. SUPPORTING THE PLATE IN ANY MANNER OTHER THAN ON ITS THREE MARKED SUSPENSION POINTS WILL VOID THE CERTIFIED ACCURACY.



Support layout for rectangular surface plate.

ANY WHITE OR DARK STREAKS IN YOUR GRANITE SURFACE PLATE ARE NOT DEFECTS. THESE COLORATIONS WILL NOT AFFECT YOUR ACCURACY, DURABILITY, OR HARDNESS. IT IS NATURE'S WAY OF MIXING MINERALS.

WE RECOMMEND CLEANING YOUR GRANITE SURFACE PLATE DAILY WITH A PRECISION GRANITE CLEANER FOR SURFACE PLATES OR RUBBING ON A SMALL AMOUNT OF WATERLESS LANOLIN HAND CLEANER USING CLEAN PAPER TOWELS OR DISPOSABLE CLOTHS.

PLATE MUST BE DRY BEFORE USING.

FOR THE ULTIMATE CARE OF YOUR PRECISION GRANITE PRODUCTS, PERIODIC RECALIBRATION IS RECOMMENDED TO DETERMINE IF RESURFACING IS NEEDED TO MAINTAIN FLATNESS ACCURACY.

PRECISION GRANITE[®]

WHEN YOU WANT THE BEST
www.precisiongraniteusa.com

PO Box 427 Whittier, CA 90608
(562) 696-8328 FAX (562) 946-4336

ISO 17025 ACCREDITED
ISO 9001 CERTIFIED